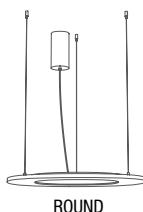
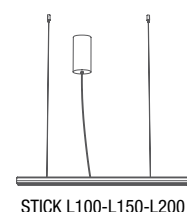
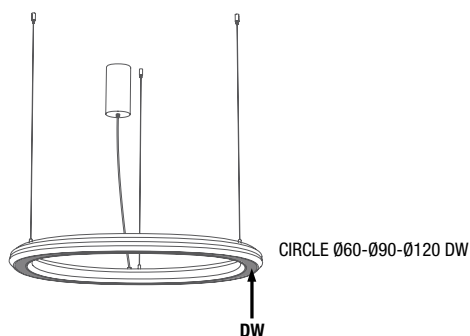
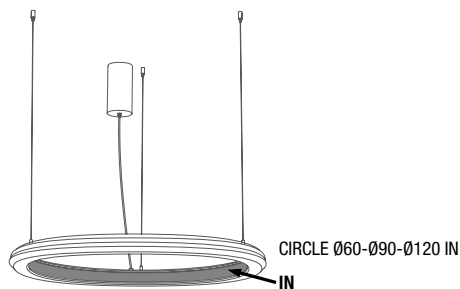


Materica

.13 cemento/concrete
.24 bianco cemento/white concrete
.02 ottone/brass



Art./Code	Note	Dimensions cm	Watt	LM	°K	Kg
CIRCLE Ø60 IN 055.049.60	.13	Ø60 cm H 6,5 cm H tot 200 cm	27W	2.256 lm 24V	3.000	8,5
	.24					
	.02					
CIRCLE Ø90 IN 055.049.90	.13	Ø90 cm H 6,5 cm H tot 200 cm	40W	3.384 lm 24V	3.000	15
	.24					
	.02					
CIRCLE Ø120 IN 055.049.12	.13	Ø120 cm H 6,5 cm H tot 200 cm	54W	4.512 lm 24V	3.000	23
	.24					
	.02					

Art./Code	Note	Dimensions cm	Watt	LM	°K	Kg
CIRCLE Ø60 DW 055.050.60	.13	Ø60 cm H 6,5 cm H tot 200 cm	45W	2.630 lm 12V	3.000	8,5
	.24					
	.02					
CIRCLE Ø90 DW 055.050.90	.13	Ø90 cm H 6,5 cm H tot 200 cm	68W	3.948 lm 12V	3.000	15
	.24					
	.02					
CIRCLE Ø120 DW 055.050.12	.13	Ø120 cm H 6,5 cm H tot 200 cm	90W	5.264 lm 12V	3.000	23
	.24					
	.02					

Art./Code	Note	Dimensions cm	Watt	LM	°K	Kg
STICK L 100 055.051.10	.13	L 100 cm H 6,5 cm H tot 100 cm	15W	1.200 lm 24V	3.000	5,8
	.24					
	.02					
STICK L 150 055.051.15	.13	L 150 cm H 6,5 cm H tot 150 cm	23W	1.800 lm 24V	3.000	8
	.24					
	.02					
STICK L 200 055.051.20	.13	L 200 cm H 6,5 cm H tot 200 cm	30W	2.400 lm 24V	3.000	15,2
	.24					
	.02					

Art./Code	Note	Dimensions cm	Watt	LM	°K	Kg
CIRCLE Ø60 IN 055.049.60	.13	Ø70 cm H tot 200 cm	33W	2.740 lm 24V	3.000	7,5
	.24					
	.02					

Dimmerabile su richiesta
Dimmable on request

MARCHETTI

Gruppo **fala** di Sergio Marchetti s.r.l.
Via G. Pastore 13 60131 Ancona (Italy)
Tel. +39 071 2868666 Fax +39 071 2868690
www.marchettiilluminazione.com
info@marchettiilluminazione.com

Ufficio Commerciale Italia
vendite.laura@marchettiilluminazione.com
davide@marchettiilluminazione.com

Export Departement
export@fala.it
fawzi.sukhon@gmail.com